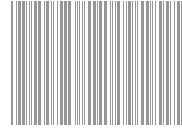


TG9 Series

TA303 .04

3M Size Plate with 3M window Aluminium Natural

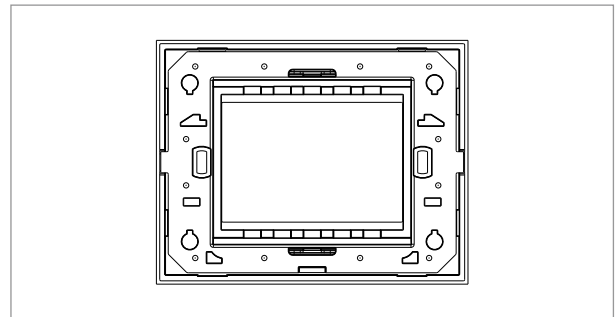


5267.51.8

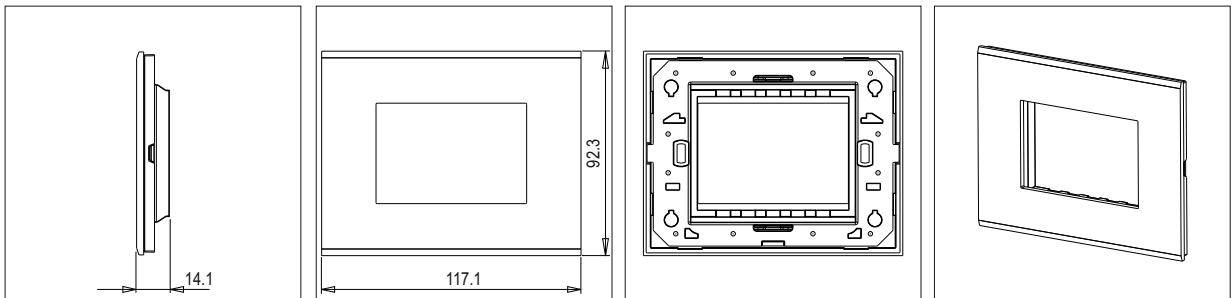


| | |
|-------------------------|---------------------------|
| Code: | TA303 .04 |
| Series: | TG9 Series |
| Family: | Solid Aluminium Plates |
| Module Size: | Three Module |
| Colour: | Aluminium Natural |
| Mark: | Norisys |
| Rated supply voltage: | ---- |
| Maximum resistive load: | ---- |
| Dimensions: | 117.1mm x 92.3mm x 14.1mm |
| Weight: | 129.3g |

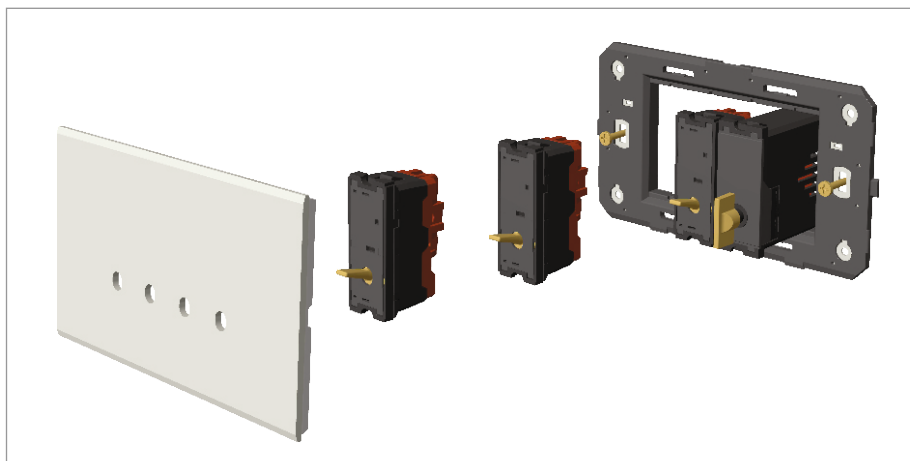
Wiring Diagram:



Drawings:



Installation:



Installation of the product should be carried out in compliance with the current regulations regarding the installation of electrical systems in the country where the product is installed.

The product should be installed by a trained professional following all safety norms.

Keep away from water and wet surfaces. While mounting the product, hands should not be wet.