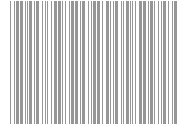


**SQUARE Series**

**S7725 .01**

USB Extension Socket - 1 module Frost White

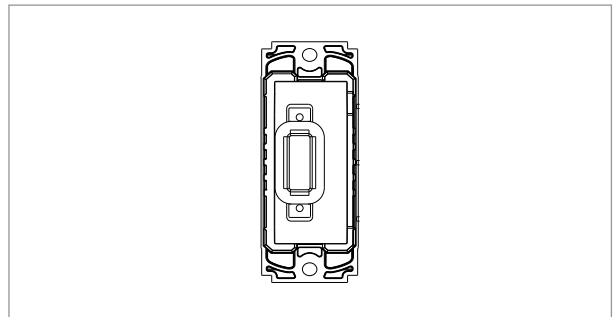


5267.51.8

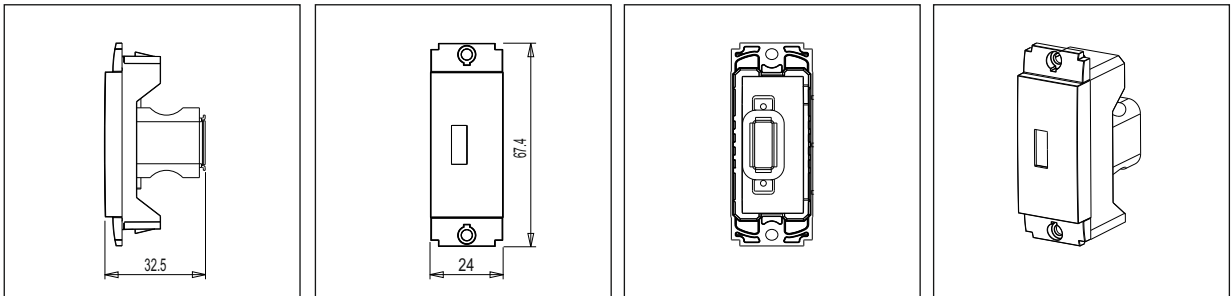


Code:	S7725 .01
Series:	SQUARE Series
Family:	Communique
Module Size:	One Module
Colour:	Frost White
Mark:	Norisys
Rated supply voltage:	--
Maximum resistive load:	--
Dimensions:	24mm x 67.4mm x 32.5mm
Weight:	15.2g

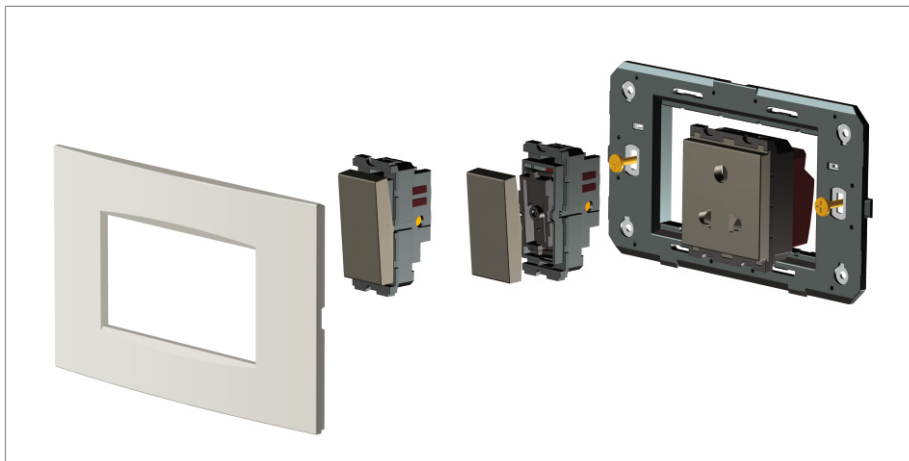
Wiring Diagram:



Drawings:



Installation:



Installation of the product should be carried out in compliance with the current regulations regarding the installation of electrical systems in the country where the product is installed.

The product should be installed by a trained professional following all safety norms.

Keep away from water and wet surfaces. While mounting the product, hands should not be wet.