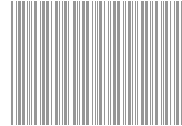
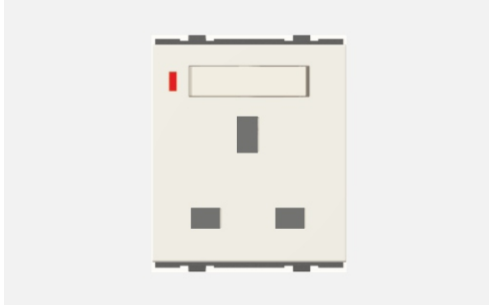


CUBE Series

D5531 .01

Integral Socket with Switch 13A 3-Pin Flat Socket Shuttered - 2 module Frost White

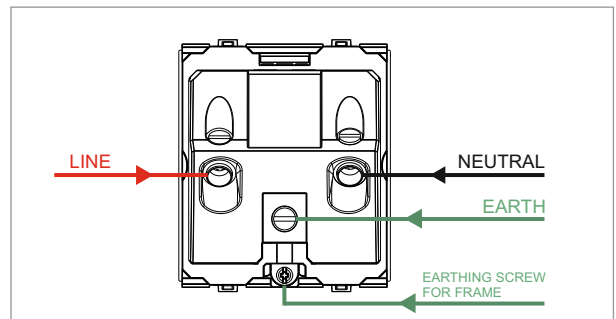


5267.51.8

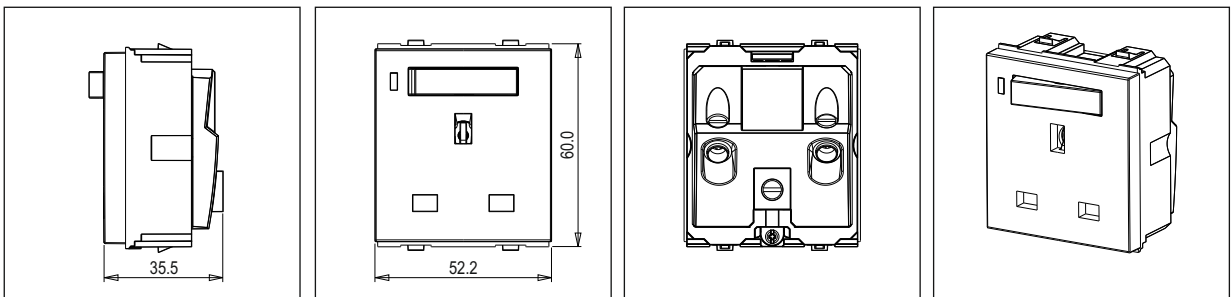


Code:	D5531 .01
Series:	CUBE Series
Family:	Integral Sockets
Module Size:	Two Module
Colour:	Frost White
Mark:	Norisys
Rated supply voltage:	240V
Maximum resistive load:	13A
Dimensions:	60.0mm x 52.2mm x 35.5mm
Weight:	89.1g

Wiring Diagram:



Drawings:



Installation:



Installation of the product should be carried out in compliance with the current regulations regarding the installation of electrical systems in the country where the product is installed.

The product should be installed by a trained professional following all safety norms.

Keep away from water and wet surfaces. While mounting the product, hands should not be wet.