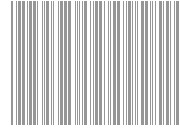


CUBE Series

CA321 .04

21M Plate - 21 module Aluminium Natural

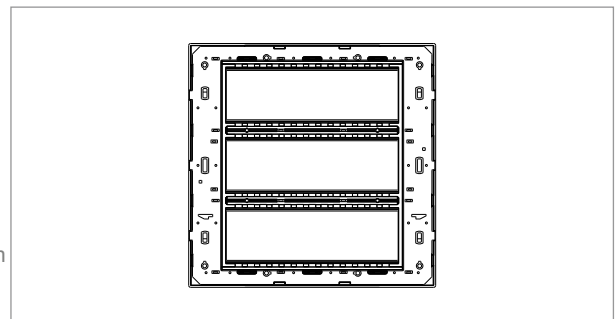


5267.51.8

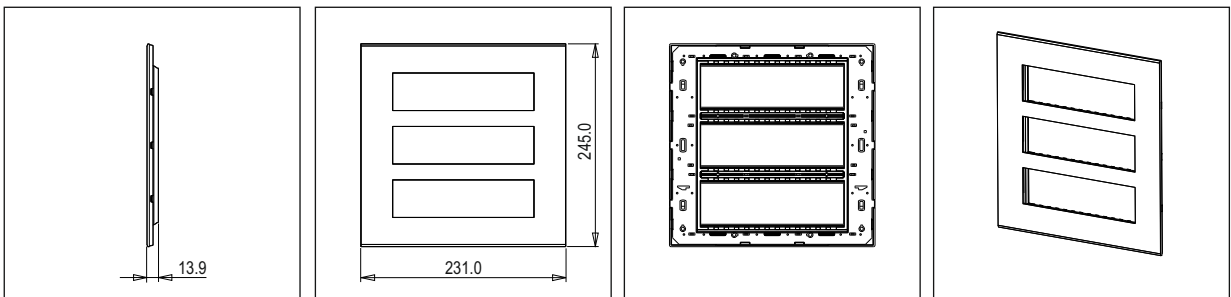


Code:	CA321 .04
Series:	CUBE Series
Family:	Aluminium plates with frames
Module Size:	Twenty One Module
Colour:	Aluminium Natural
Mark:	Norisys
Rated supply voltage:	—
Maximum resistive load:	—
Dimensions:	245.0mm x 231.0mm x 13.9mm
Weight:	610.60g

Wiring Diagram:



Drawings:



Installation:



Installation of the product should be carried out in compliance with the current regulations regarding the installation of electrical systems in the country where the product is installed.

The product should be installed by a trained professional following all safety norms.

Keep away from water and wet surfaces. While mounting the product, hands should not be wet.