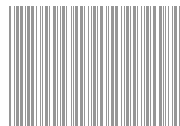


CUBE Series

C5112 .16

12M Plate - 12 module Matt Gold

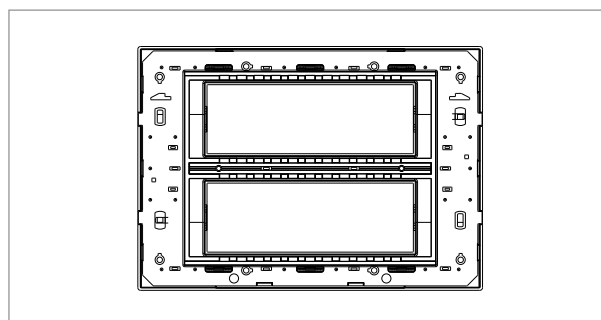


5267.51.8

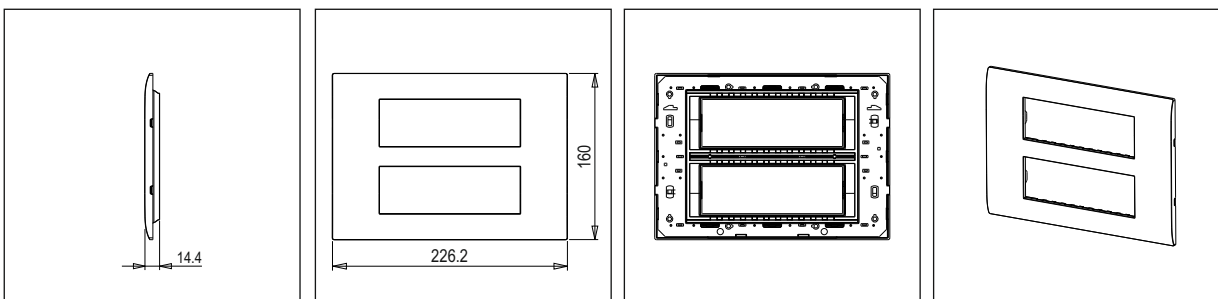


Code:	C5112 .16
Series:	CUBE Series
Family:	Smart plates with frames
Module Size:	Twelve Module
Colour:	Matt Gold
Mark:	Norisys
Rated supply voltage:	--
Maximum resistive load:	--
Dimensions:	160mm x 226.2mm x 14.4mm
Weight:	258.60g

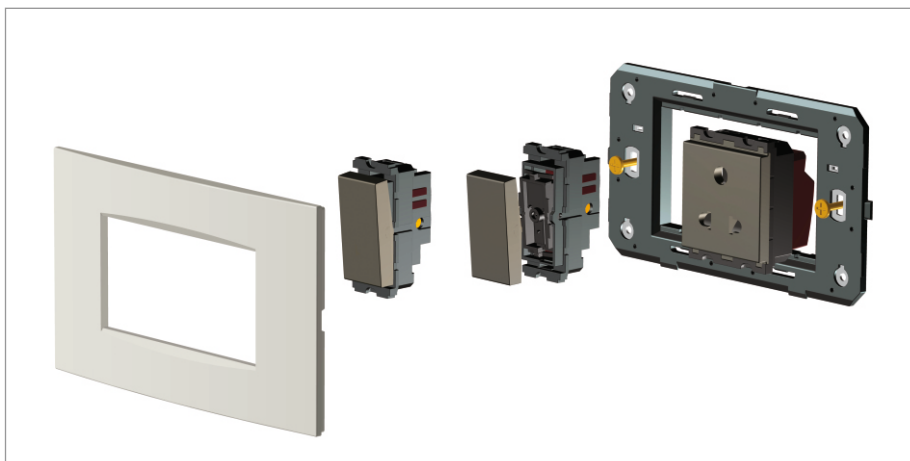
Wiring Diagram:



Drawings:



Installation:



Installation of the product should be carried out in compliance with the current regulations regarding the installation of electrical systems in the country where the product is installed.

The product should be installed by a trained professional following all safety norms.

Keep away from water and wet surfaces. While mounting the product, hands should not be wet.