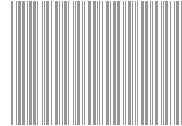


CUBE Series

C5104 .02

4M Plate - 4 module Quartz Gray

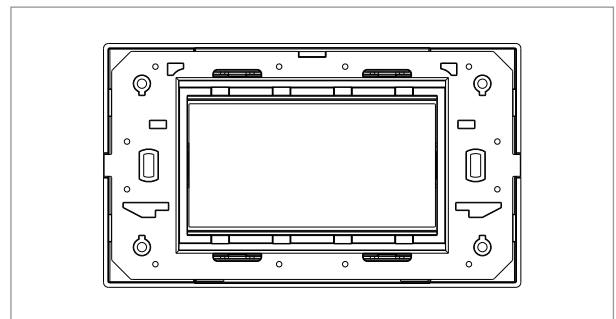


5267.51.8

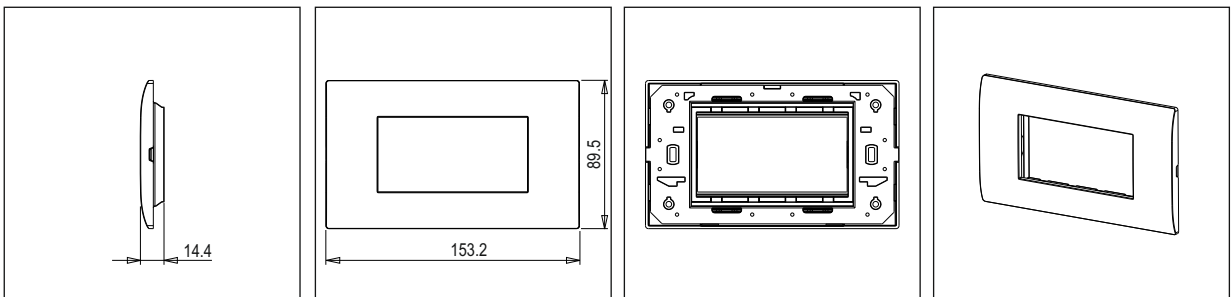


Code:	C5104 .02
Series:	CUBE Series
Family:	Smart plates with frames
Module Size:	Four Module
Colour:	Quartz Gray
Mark:	Norisys
Rated supply voltage:	--
Maximum resistive load:	--
Dimensions:	89.5mm x 153.2mm x 14.4mm
Weight:	107.70 g

Wiring Diagram:



Drawings:



Installation:



Installation of the product should be carried out in compliance with the current regulations regarding the installation of electrical systems in the country where the product is installed.

The product should be installed by a trained professional following all safety norms.

Keep away from water and wet surfaces. While mounting the product, hands should not be wet.